

REVITALizer is an eclectic and multifunctional equipment realized for turfs management. Its mechanical action respects the soil stratigraphy without altering the environments. At the same time it allows to generate an exchange channel between the surface and the lower layers promoting evapo-transpiration, the evolution of the organic matter, biodiversity in the broadest sense.

Fast and light machine for:

- ✓ Manage in a simple way residues, cover crops, grassy lawns, tree crops rows
- ✓ Seeding or interseeding between rows and in open field (optional)
- ✓ Manage vegetal masses and turfs in specialized cultivation or in open field
- ✓ Aerate soils and lawns



SUMMER PASSAGE

BENEFITS OF REVITALIZER PASSAGE

REVITALizer, used on bolting essences, terminates and affects the vegetation which, drawn sideways, shells ears and opens siliques. In this way seeds fall to the ground and are covered by the vegetal layer, renewing the native species and invigorating the soil.



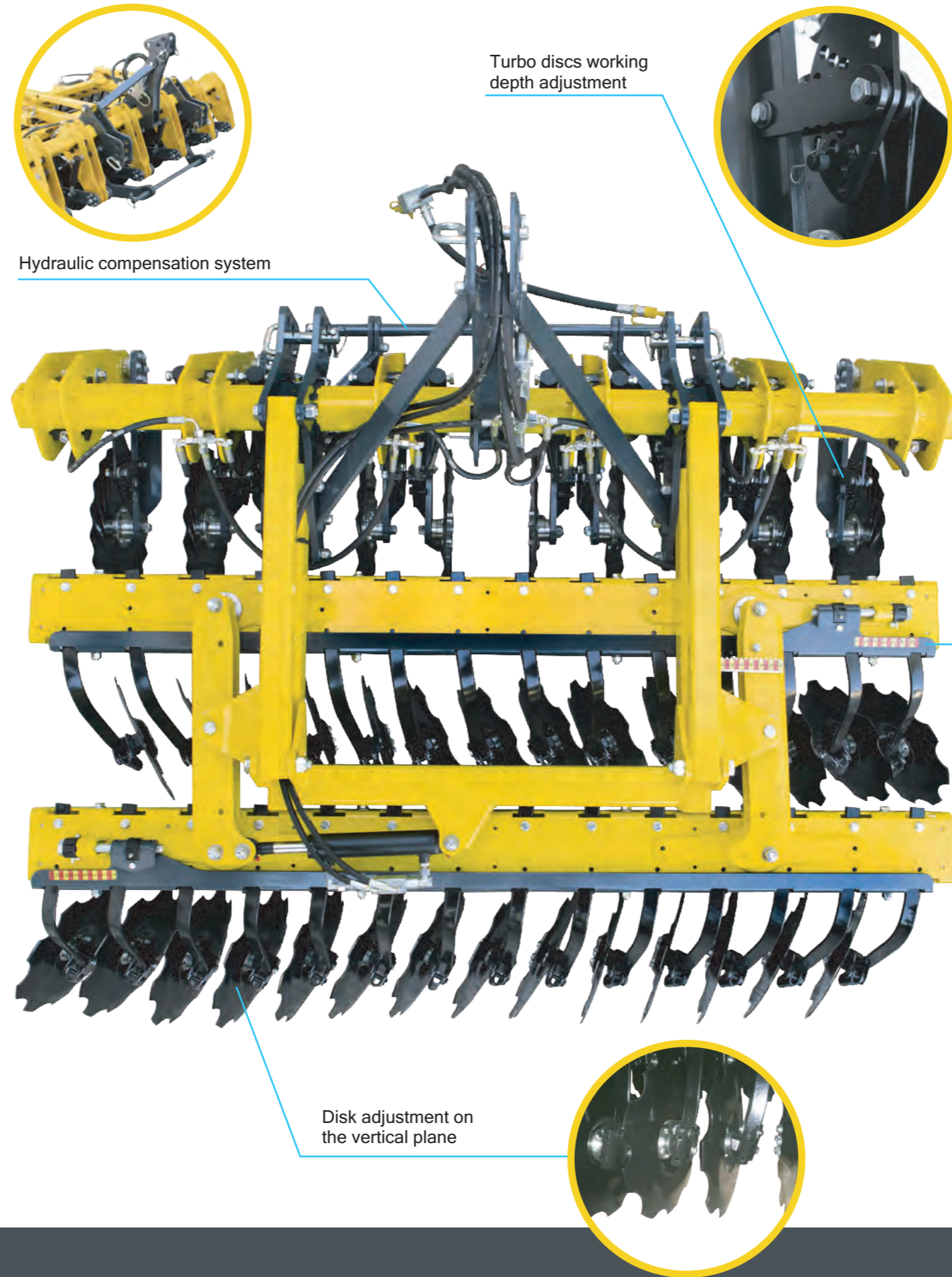
EFFECT OF REVITALIZER PASSAGE



AUTUMN



SPRING



STRONG POINTS

The adjustment of the disk axis allows to obtain very different results with the same tool.

Main points:

- ✓ Vertical tillage with turbo disks: possibility of working depth adjustment
- ✓ Two lines of disks with adjustable opposing angle
- ✓ Elastic supports (springs): possibility of adjustment on the horizontal plane
- ✓ Hydraulic compensation system: makes the machine more stable, close-fitting to the soil while working

IN BRIEF

All working parts are adjustable separately. This allows to adapt the effectiveness of operations to specific soil conditions (e.g. traffic bands or not).

Pantograph position locator



Spring adjustment on the horizontal plane



OPTIONS

- ✓ Seeding equipments
- ✓ Folding of the back side, reduces the footprint length by 60cm

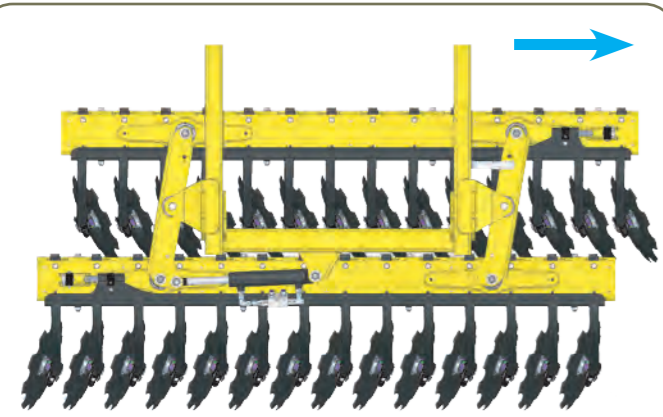
TECHNICAL DATA

WORKING WIDTH (cm)	WORKING LENGTH* (cm)	POWER REQUIRED (hp)	WEIGHT (kg)
200	160	50	600

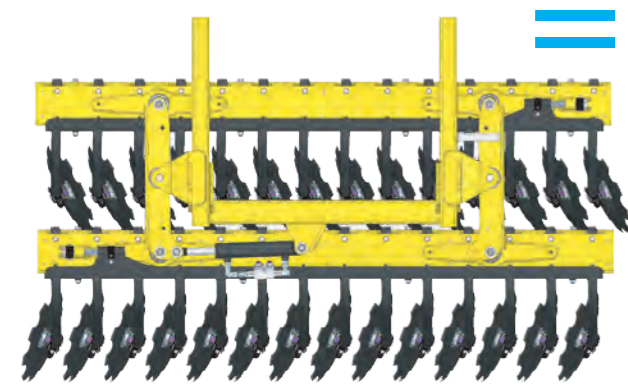
HYDRAULIC SYSTEM: double-acting distributor, continuous flow distributor, 4/5 lt per minute and free return to the tank

* Different widths and/or configurations are available on demand

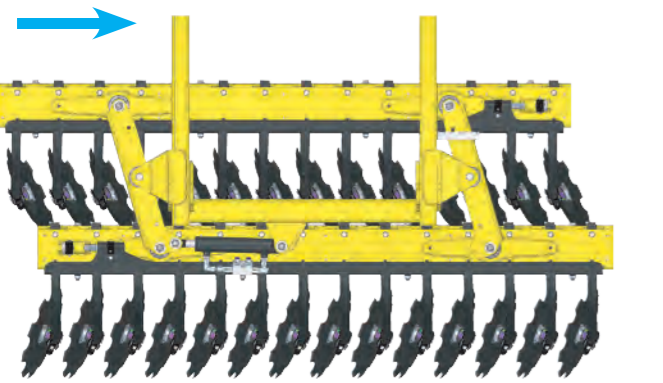
Frames configuration



Maximum working width, outward flow of the conditioned mass

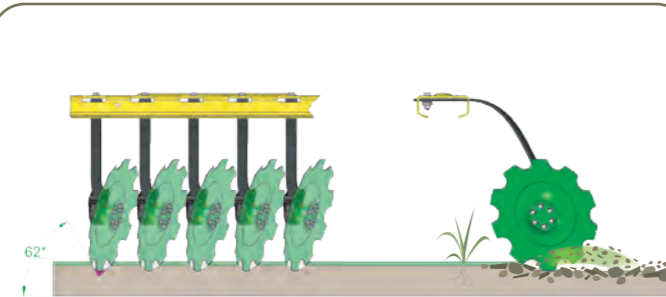


Aligned frames, minimum working space, limited flow of the conditioned mass

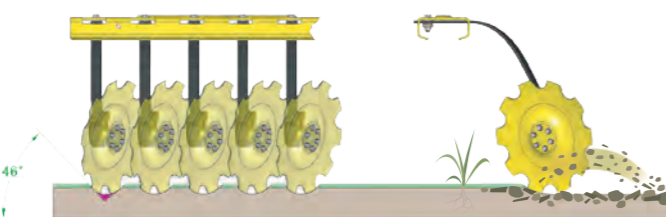


Maximum working width, inward flow of the conditioned mass

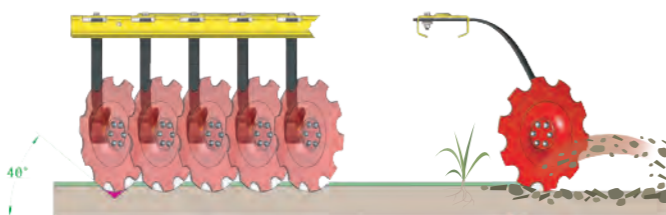
Disk adjustment



Major angle
The disk penetrates vertically and draws the material sideways without charging. No clumps are formed and no stones are brought to the surface.



Medium angle
The disk penetrates and lifts the material throwing it slightly forward. Greater incisiveness with small clumps formation.



Minor angle
The disk slows down its rotation, rips and throws the material forward. Detachment of large parts, lifting of stones.

EXAMPLES OF WORKINGS



SEEDED COVER



NATURAL LAWN



AFTER CHOPPING



NATURAL LAWN BREAKING DOWN AFTER THE SEEDS ARE MATURE



Under Surface Seeding Technology
AZ Farming d.o.o
Tržaška cesta 2 • 1000 Ljubljana - Slovenija
Tel. 00386 8 2054470 • Cell. 00386 51 768892
e-mail contact@az-farming.net
web-site www.az-farming.net

DEALER

REVITALIZE
LONG LIVE THE BIODIVERSITY

